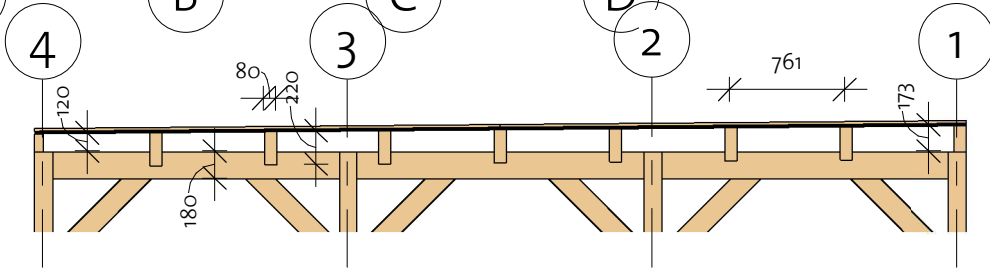
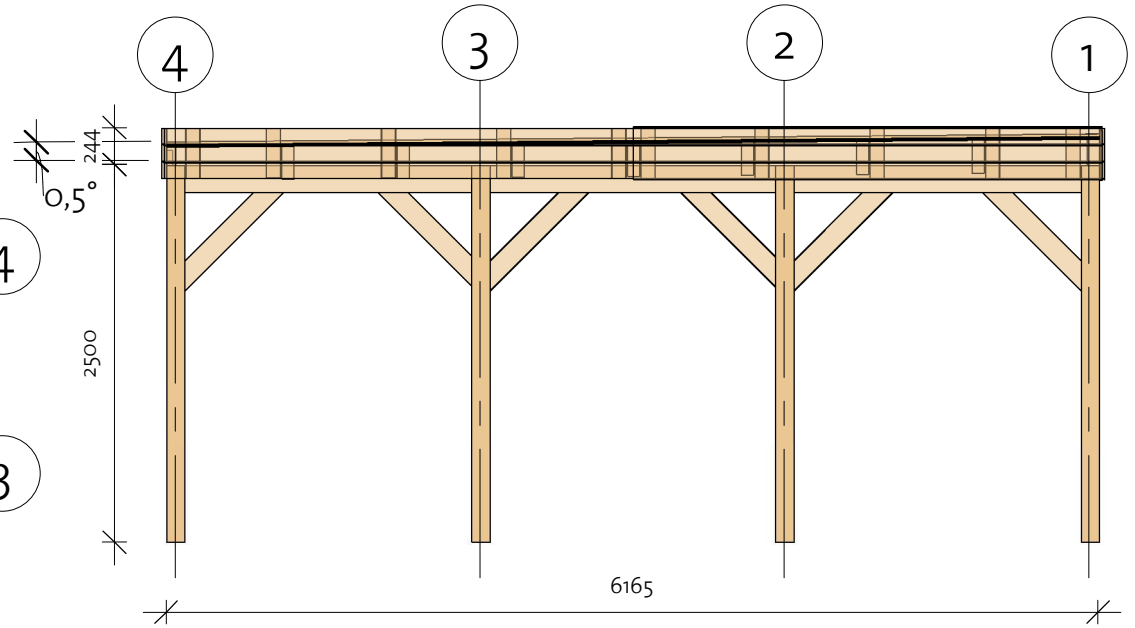
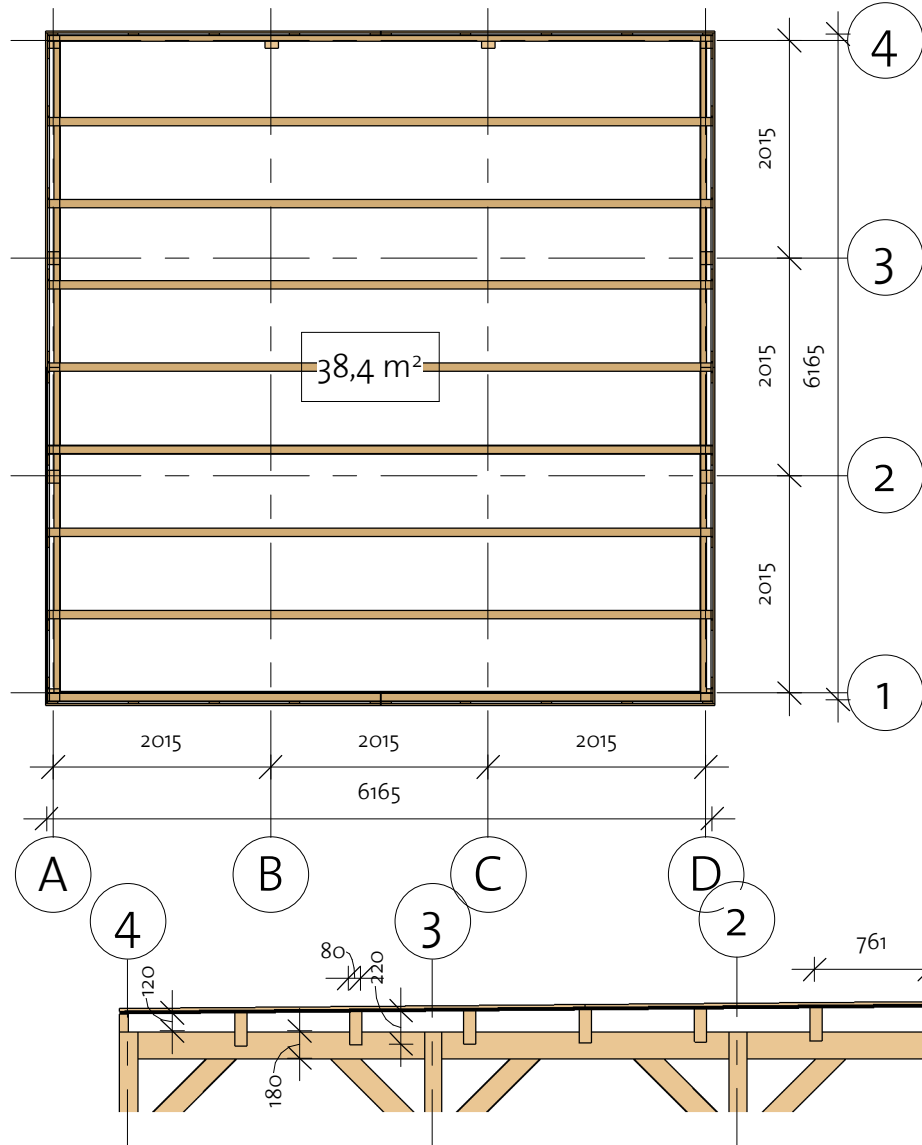


Carport (616x616)



9226111_201215




Carport (616x616)

Floor Plan

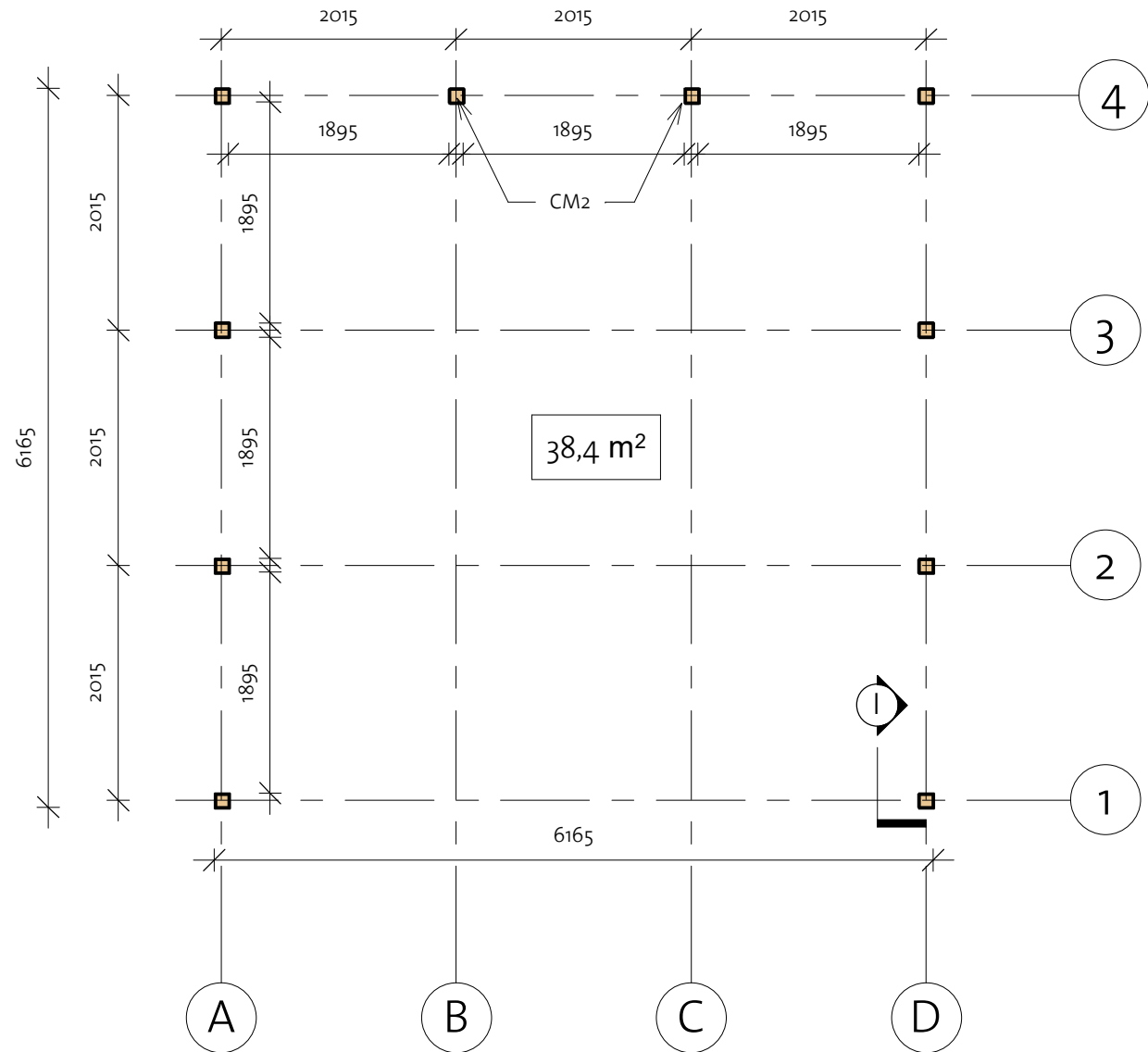
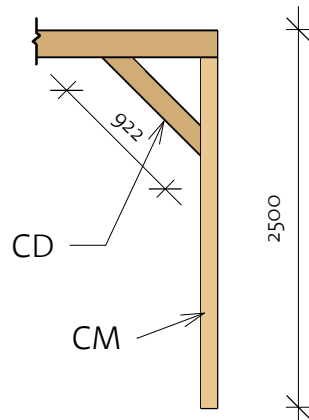
Columns			
Mark	Profile	Count	Length

CM1	Post 120X120	8	2500
CM2	Post 120X120	2	2500

Diagonals				
Mark	Type	Profile	Count	Length

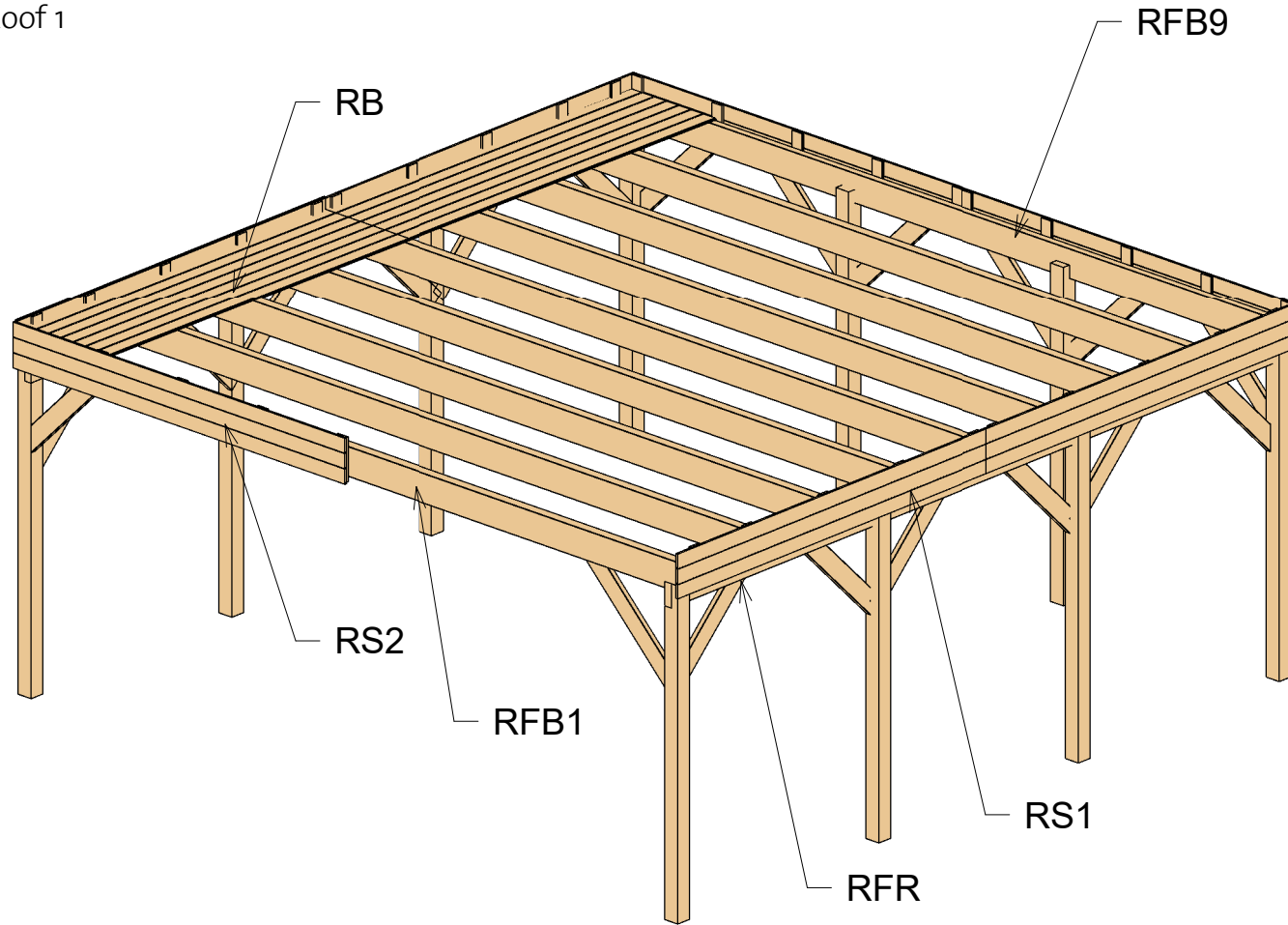
CD	Beam 40X143		20	922
----	----------------	---	----	-----

Ⓛ Column section



Carport (616x616)

Roof 1



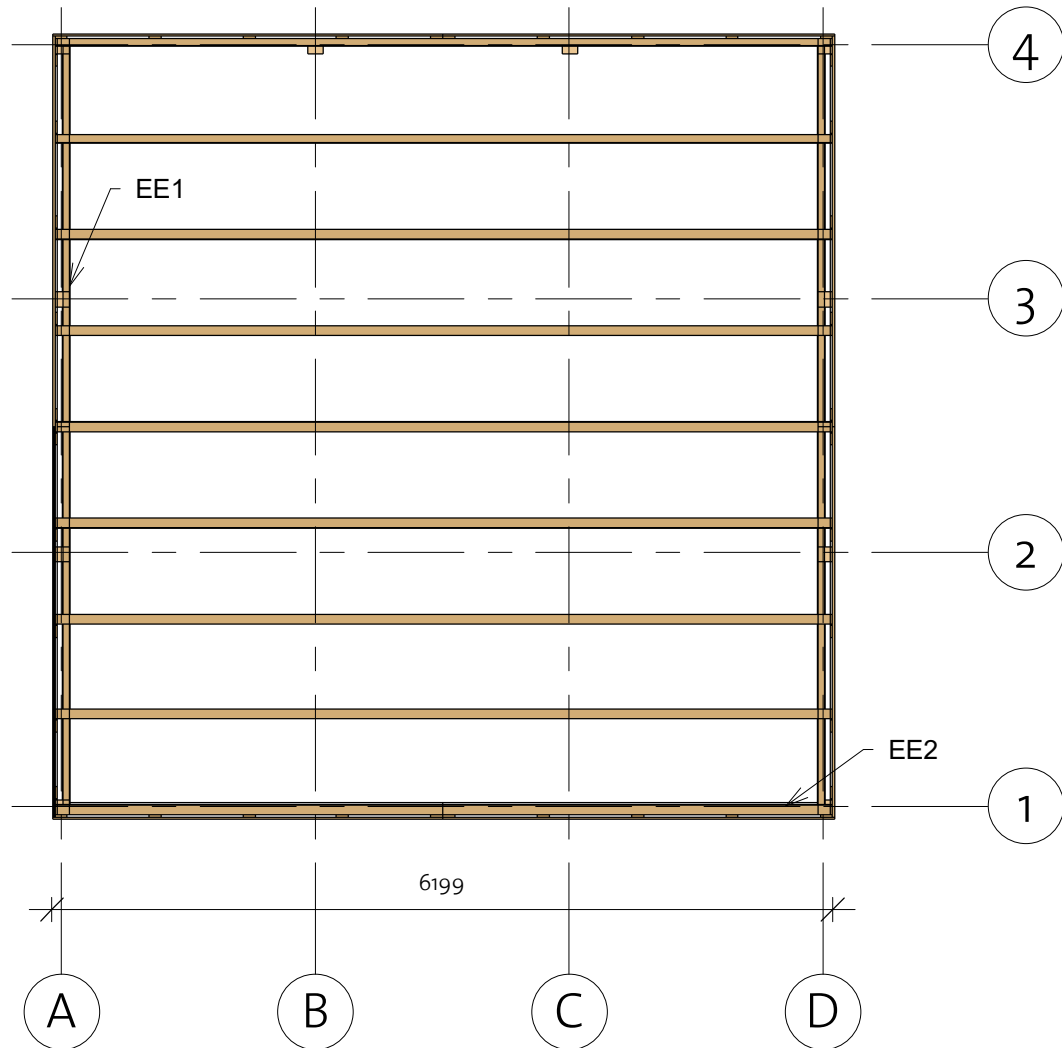
Roof Side Schedule		
Type	Length	Count



RS1	3100	4
RS2	3099	4

Roof				
Mark	Type	Profile	Count	Length
RB	17x114		110	3080
RFB1	Beam 80x220		1	6165
RFB2	Beam 80x220		1	6165
RFB3	Beam 80x220		1	6165
RFB4	Beam 80x220		1	6165
RFB5	Beam 80x220		1	6165
RFB6	Beam 80x220		1	6165
RFB7	Beam 80x220		1	6165
RFB8	Beam 80x220		1	6165
RFB9	Beam 60x220		1	6165
RFR	Beam 60x180		2	6165

Carport (616x616)

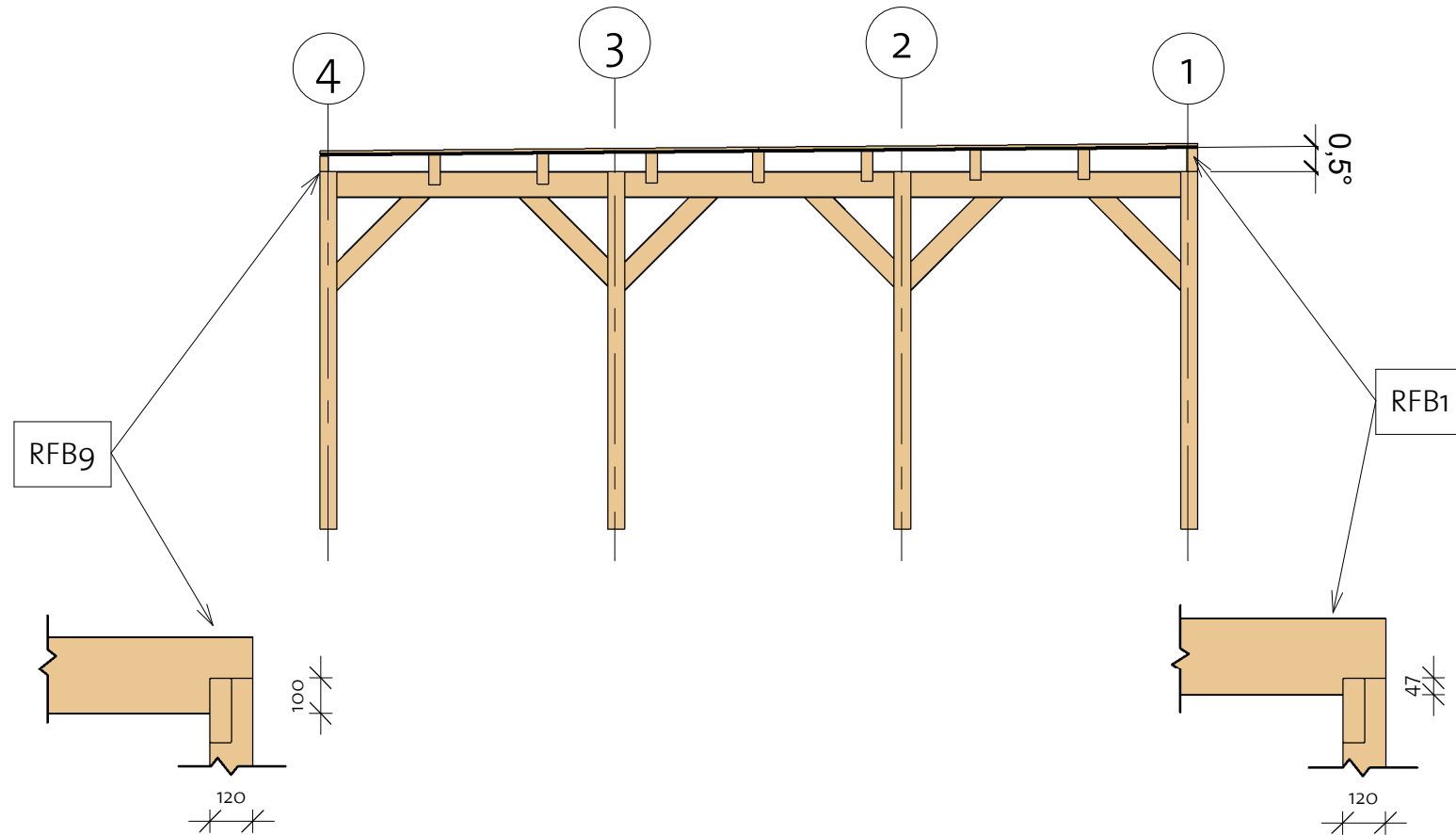
Roof 2



Fascia Schedule				
Mark	Type	Profile	Count	Length
EE1	Eave Edging 18x95		4	3082
EE2	Eave Edging 18x95		2	2969

Carport (616x616)



Roof 3



Carport (616x616)

List of all items 1


Fascia Schedule

Mark	Type	Profile	Count	Length
EE1	Eave Edging 18x95		4	3082
EE2	Eave Edging 18x95		2	2969

Columns

Mark	Profile	Count	Length
CM1	Post 120x120	8	2500
CM2	Post 120x120	2	2500



Diagonals

Mark	Type	Profile	Count	Length
CD	Beam 40x143		20	922

Roof Side Schedule

Type	Length	Count
RS1	3100	4
RS2	3099	4

Roof

Mark	Type	Profile	Count	Length
RB	17x114		110	3080
RFB1	Beam 80x220		1	6165
RFB2	Beam 80x220		1	6165
RFB3	Beam 80x220		1	6165
RFB4	Beam 80x220		1	6165
RFB5	Beam 80x220		1	6165
RFB6	Beam 80x220		1	6165
RFB7	Beam 80x220		1	6165
RFB8	Beam 80x220		1	6165
RFB9	Beam 60x220		1	6165
RFR	Beam 60x180		2	6165

Fasteners & Extras

Name	Type	Count
Screws	4,0 x 40	50
Screws	4,0 x 50	750

* Only fasteners for boards included